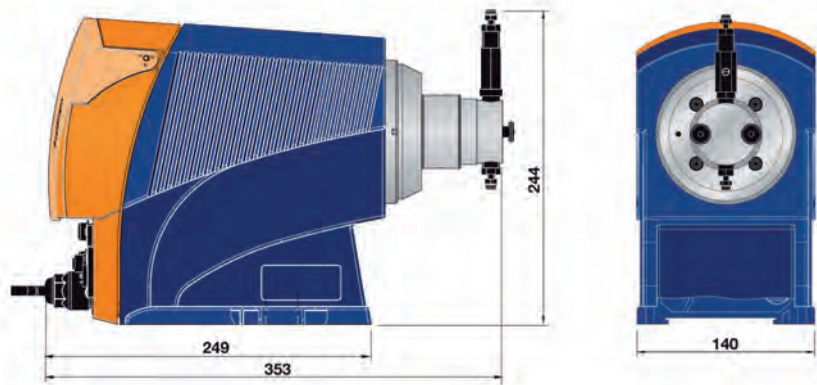


mikro delta®

Precision piston metering pump

Continuous, highly accurate and safe dosing of ultra-small volumes – no problem for the latest generation of pump.

- Capacity range
150–1,500 ml/h, 60–20 bar
- Stroke volume of 1–250 µl
- Available in PTFE and stainless steel
- Large illuminated graphic display
- Optional external control via contacts, mA, PROFIBUS® or CANopen (optional)
- Continuous or pulsing operation
- Precisely controlled dosing process by means of regulated solenoid drive



Mahar Fan Abzar Co.

| Pump type | Delivery rate at max. backpressure | | Plunger Ø mm | Connection size hose mm | Connection size piping mm | Suction head mWC | Backpressure valve holding pressure bar | |
|-------------------|------------------------------------|-------|-----------------|-------------------------------|---------------------------------|---------------------|---|-----------|
| | bar | l/h | | | | | | ml/stroke |
| Version TT | | | | | | | | |
| 100150 TT | 10 | 145 | 24.17 | 2.5 | 1.75x1.75 | 1.59 | 6 | 2.5 |
| 100600 TT | 10 | 580 | 96.67 | 5 | 1.75x1.75 | 1.59 | 6 | 2.5 |
| 101500 TT | 10 | 1,480 | 246.67 | 8 | 3.20x2.40 | 3.18 | 4 | 1.5 |
| Version SS | | | | | | | | |
| 600150 SS | 60 | 145 | 24.17 | 2.5 | 1.75x1.75 | 1.90 | 6 | 2.5 |
| 400600 SS | 40 | 580 | 96.67 | 5 | 1.75x1.75 | 1.90 | 6 | 2.5 |
| 201500 SS | 20 | 1,480 | 246.67 | 8 | 3.20x2.40 | 3.18 | 4 | 1.5 |

Suction height with primed liquid end and primed suction line.

Materials in contact with medium

| Material | Liquid end | Suction/ pressure port | Valve balls | Valve seats | Plunger | Valve seal | Plunger seal |
|----------|---------------------------|---------------------------|-------------|-------------|---------|------------|-----------------|
| TTT | PTFE + Carbon | PTFE + Carbon | Ruby | Ceramic | Ceramic | PTFE | PTFE, white |
| TTG | PTFE + Carbon | PTFE + Carbon | Ruby | Ceramic | Ceramic | PTFE | PTFE + graphite |
| SST | Stainless steel 1.4571 | Stainless steel 1.4571 | Ruby | Ceramic | Ceramic | PTFE | PTFE, white |
| SSG | Stainless steel 1.4571 | Stainless steel 1.4571 | Ruby | Ceramic | Ceramic | PTFE | PTFE + graphite |