

S S F L A N G E S

**150# – Blind Raised Face Flange**

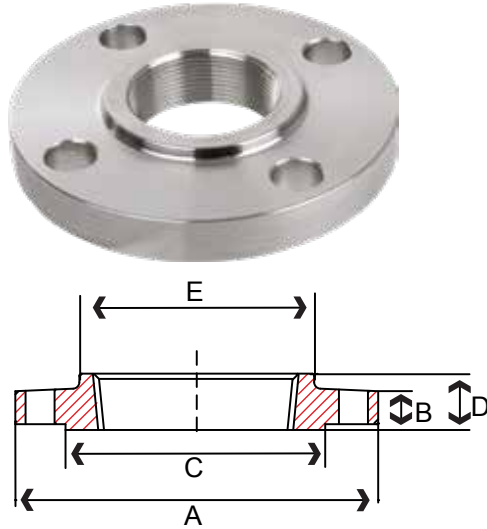
Size in	Part Number		A in	B in	C in	Bolt Circle in	Bolt Hole Diameter in	Number of Bolt Holes	Weight lb
	304/304L	316/316L							
1/2	S1014BL004N	S1016BL004N	3.50	0.44	1.38	2.38	0.62	4	1
3/4	S1014BL006N	S1016BL006N	3.88	0.50	1.69	2.75	0.62	4	2
1	S1014BL010N	S1016BL010N	4.25	0.56	2.00	3.12	0.62	4	2
1-1/4	S1014BL012N	S1016BL012N	4.62	0.62	2.50	3.50	0.62	4	3
1-1/2	S1014BL014N	S1016BL014N	5.00	0.69	2.88	3.88	0.62	4	4
2	S1014BL020N	S1016BL020N	6.00	0.75	3.62	4.75	0.75	4	5
2-1/2	S1014BL024N	S1016BL024N	7.00	0.88	4.12	5.50	0.75	4	7
3	S1014BL030N	S1016BL030N	7.50	0.94	5.00	6.00	0.75	4	9
4	S1014BL040N	S1016BL040N	9.00	0.94	6.19	7.50	0.75	8	17
5	S1014BL050N	S1016BL050N	10.00	0.94	7.31	8.50	0.88	8	20
6	S1014BL060N	S1016BL060N	11.00	1.00	8.50	9.50	0.88	8	26

Raised Face 1/16"

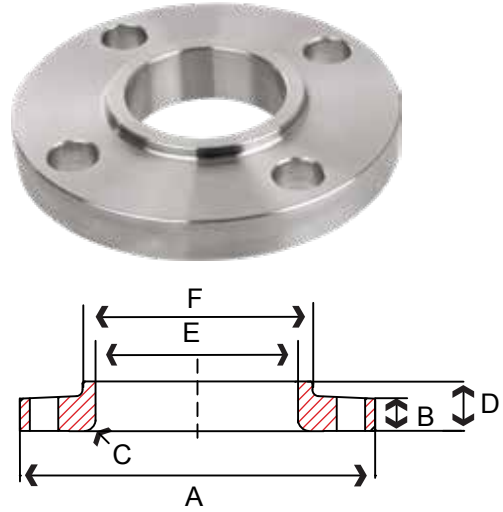
**150# – Slip-On Raised Face Flange**

Size in	Part Number		A in	B in	C in	D in	E in	F in	Bolt Circle in	Bolt Hole Diameter in	Number of Bolt Holes	Weight lb
	304/304L	316/316L										
1/2	S1014SO004N	S1016SO004N	3.50	0.44	1.38	0.62	0.88	1.19	2.38	0.62	4	1
3/4	S1014SO006N	S1016SO006N	3.88	0.50	1.69	0.62	1.09	1.50	2.75	0.62	4	2
1	S1014SO010N	S1016SO010N	4.25	0.56	2.00	0.69	1.36	1.94	3.12	0.62	4	2
1-1/4	S1014SO012N	S1016SO012N	4.62	0.62	2.50	0.81	1.70	2.31	3.50	0.62	4	3
1-1/2	S1014SO014N	S1016SO014N	5.00	0.69	2.88	0.88	1.95	2.56	3.88	0.62	4	3
2	S1014SO020N	S1016SO020N	6.00	0.75	3.62	1.00	2.44	3.06	4.75	0.75	4	5
2-1/2	S1014SO024N	S1016SO024N	7.00	0.88	4.12	1.12	2.94	3.56	5.50	0.75	4	7
3	S1014SO030N	S1016SO030N	7.50	0.94	5.00	1.19	3.57	4.25	6.00	0.75	4	8
4	S1014SO040N	S1016SO040N	9.00	0.94	6.19	1.31	4.60	5.31	7.50	0.75	8	13
5	S1014SO050N	S1016SO050N	10.00	0.94	7.31	1.44	5.66	6.44	8.50	0.88	8	15
6	S1014SO060N	S1016SO060N	11.00	1.00	8.50	1.56	6.72	7.56	9.50	0.88	8	19

Raised Face 1/16"



Threaded Flange



Lap Joint Flange

S S F L A N G E S

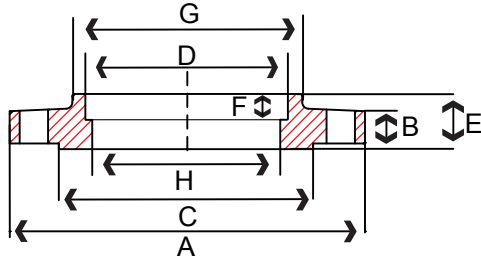
**150# – Threaded Raised Face Flange**

Size in	Part Number		A in	B in	C in	D in	E in	Bolt Circle in	Bolt Hole Diameter in	Number of Bolt Holes	Weight lb
	304/304L	316/316L									
1/2	S1014TH004N	S1016TH004N	3.50	0.44	1.38	0.62	1.19	2.38	0.62	4	1
3/4	S1014TH006N	S1016TH006N	3.88	0.50	1.69	0.62	1.50	2.75	0.62	4	2
1	S1014TH010N	S1016TH010N	4.25	0.56	2.00	0.69	1.94	3.12	0.62	4	2
1-1/4	S1014TH012N	S1016TH012N	4.62	0.62	2.50	0.81	2.31	3.50	0.62	4	3
1-1/2	S1014TH014N	S1016TH014N	5.00	0.69	2.88	0.88	2.56	3.88	0.62	4	3
2	S1014TH020N	S1016TH020N	6.00	0.75	3.62	1.00	3.06	4.75	0.75	4	5
2-1/2	S1014TH024N	S1016TH024N	7.00	0.88	4.12	1.12	3.56	5.50	0.75	4	7
3	S1014TH030N	S1016TH030N	7.50	0.94	5.00	1.19	4.25	6.00	0.75	4	8
4	S1014TH040N	S1016TH040N	9.00	0.94	6.19	1.31	5.31	7.50	0.75	8	13
5	S1014TH050N	-	10.00	0.94	7.31	1.44	6.44	8.50	0.88	8	15
6	S1014TH060N	S1016TH060N	11.00	1.00	8.50	1.56	7.56	9.50	0.88	8	19

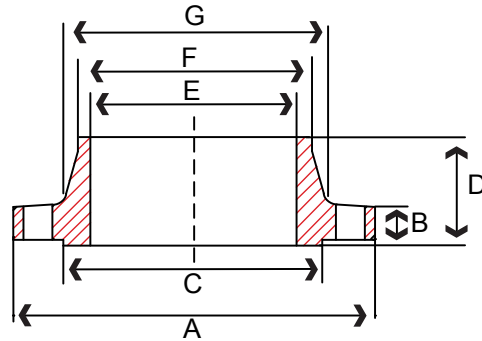
Raised Face 1/16"

**150# – Lap Joint Flange**

Size in	Part Number		A in	B in	C in	D in	E in	F in	Bolt Circle in	Bolt Hole Diameter in	Number of Bolt Holes	Weight lb
	304/304L	316/316L										
1/2	S1014LJ004N	S1016LJ004N	3.50	0.44	0.12	0.62	0.90	1.19	2.38	0.62	4	1
3/4	S1014LJ006N	S1016LJ006N	3.88	0.50	0.12	0.62	1.11	1.50	2.75	0.62	4	2
1	S1014LJ010N	S1016LJ010N	4.25	0.56	0.12	0.69	1.38	1.94	3.12	0.62	4	2
1-1/4	S1014LJ012N	S1016LJ012N	4.62	0.62	0.19	0.81	1.72	2.31	3.50	0.62	4	3
1-1/2	S1014LJ014N	S1016LJ014N	5.00	0.69	0.25	0.88	1.97	2.56	3.88	0.62	4	3
2	S1014LJ020N	S1016LJ020N	6.00	0.75	0.31	1.00	2.46	3.06	4.75	0.75	4	5
2-1/2	S1014LJ024N	S1016LJ024N	7.00	0.88	0.31	1.12	2.97	3.56	5.50	0.75	4	7
3	S1014LJ030N	S1016LJ030N	7.50	0.94	0.38	1.19	3.60	4.25	6.00	0.75	4	8
4	S1014LJ040N	S1016LJ040N	9.00	0.94	0.44	1.31	4.60	5.31	7.50	0.75	8	13
5	S1014LJ050N	-	10.00	0.94	0.44	1.44	5.69	6.44	8.50	0.88	8	15
6	S1014LJ060N	S1016LJ060N	11.00	1.00	0.50	1.56	6.75	7.56	9.50	0.88	8	19



Socket Weld Flange



Weld Neck Flange

**150# Schedule 40 – Socket Weld Raised Face Flange**

Size in	Part Number		A in	B in	C in	D in	E in	F in	G in	H in	Bolt Circle in	Bolt Hole Diameter in	Number of Bolt Holes	Weight lb
	304/304L	316/316L												
1/2	S1014SW4004N	S1016SW4004N	3.50	0.44	1.38	0.88	0.62	0.38	1.19	0.62	2.38	0.62	4	1
3/4	S1014SW4006N	S1016SW4006N	3.88	0.50	1.69	1.09	0.62	0.44	1.50	0.82	2.75	0.62	4	2
1	S1014SW4010N	S1016SW4010N	4.25	0.56	2.00	1.36	0.69	0.50	1.94	1.05	3.12	0.62	4	2
1-1/4	S1014SW4012N	S1016SW4012N	4.62	0.62	2.50	1.70	0.81	0.56	2.31	1.38	3.50	0.62	4	3
1-1/2	S1014SW4014N	S1016SW4014N	5.00	0.69	2.88	1.95	0.88	0.62	2.56	1.61	3.88	0.62	4	3
2	S1014SW4020N	S1016SW4020N	6.00	0.75	3.62	2.44	1.00	0.69	3.06	2.07	4.75	0.75	4	5
2-1/2	S1014SW4024N	S1016SW4024N	7.00	0.88	4.12	2.94	1.12	0.75	3.56	2.47	5.50	0.75	4	7
3	S1014SW4030N	S1016SW4030N	7.50	0.94	5.00	3.57	1.19	0.81	4.25	3.07	6.00	0.75	4	8
4	S1014SW4040N	S1016SW4040N	9.00	0.94	6.19	4.60	1.31	0.94	5.31	4.03	7.50	0.75	8	13
5	S1014SW4050N	-	10.00	0.94	7.31	5.66	1.44	0.94	6.44	5.05	8.50	0.88	8	15
6	S1014SW4060N	S1016SW4060N	11.00	1.00	8.50	6.72	1.56	1.06	7.56	6.07	9.50	0.88	8	19

Raised Face 1/16"

**150# Schedule 80 – Socket Weld Raised Face Flange**

Size in	Part Number		A in	B in	C in	D in	E in	F in	G in	H in	Bolt Circle in	Bolt Hole Diameter in	Number of Bolt Holes	Weight lb
	304/304L	316/316L												
1/2	S1014SW8004N	S1016SW8004N	3.50	0.44	1.38	0.54	0.62	0.38	1.19	0.54	2.38	0.62	4	1
3/4	S1014SW8006N	S1016SW8006N	3.88	0.50	1.69	0.74	0.62	0.44	1.50	0.74	2.75	0.62	4	2
1	S1014SW8010N	S1016SW8010N	4.25	0.56	2.00	0.95	0.69	0.50	1.94	0.95	3.12	0.62	4	2
1-1/4	S1014SW8012N	S1016SW8012N	4.62	0.62	2.50	1.27	0.81	0.56	2.31	1.27	3.50	0.62	4	3
1-1/2	S1014SW8014N	S1016SW8014N	5.00	0.69	2.88	1.50	0.88	0.62	2.56	1.50	3.88	0.62	4	3
2	S1014SW8020N	S1016SW8020N	6.00	0.75	3.62	1.94	1.00	0.69	3.06	1.93	4.75	0.75	4	5

Raised Face 1/16"

**150# Schedule 10 – Weld Neck Raised Face Flange**

Size in	Part Number		A in	B in	C in	D in	E in	F in	G in	Bolt Circle in	Bolt Hole Diameter in	Number of Bolt Holes	Weight lb
	304/304L	316/316L											
1/2	S1014WN1004N	S1016WN1004N	3.50	0.44	1.38	1.88	0.67	0.84	1.19	2.38	0.62	4	2
3/4	S1014WN1006N	S1016WN1006N	3.88	0.50	1.69	2.06	0.88	1.05	1.50	2.75	0.62	4	2
1	S1014WN1010N	S1016WN1010N	4.25	0.56	2.00	2.19	1.09	1.32	1.94	3.12	0.62	4	3
1-1/4	S1014WN1012N	S1016WN1012N	4.62	0.62	2.50	2.25	1.44	1.66	2.31	3.50	0.62	4	3
1-1/2	S1014WN1014N	S1016WN1014N	5.00	0.69	2.88	2.44	1.68	1.90	2.56	3.88	0.62	4	4
2	S1014WN1020N	S1016WN1020N	6.00	0.75	3.62	2.50	2.15	2.38	3.06	4.75	0.75	4	6
2-1/2	S1014WN1024N	S1016WN1024N	7.00	0.88	4.12	2.75	2.63	2.88	3.56	5.50	0.75	4	8
3	S1014WN1030N	S1016WN1030N	7.50	0.94	5.00	2.75	3.26	3.50	4.25	6.00	0.75	4	10
4	S1014WN1040N	S1016WN1040N	9.00	0.94	6.19	3.00	4.26	4.50	5.31	7.50	0.75	8	15
6	S1014WN1060N	S1016WN1060N	11.00	1.00	8.50	3.50	6.35	6.63	7.56	9.50	0.88	8	24

Raised Face 1/16"

**150# Schedule 40 – Weld Neck Raised Face Flange**

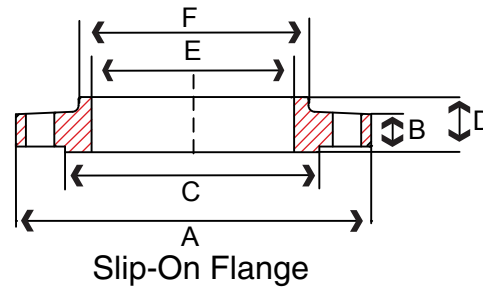
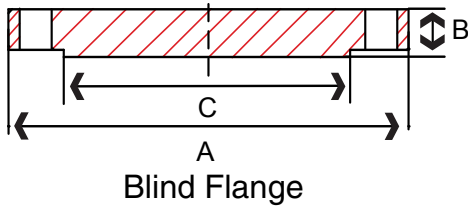
Size in	Part Number		A in	B in	C in	D in	E in	F in	G in	Bolt Circle in	Bolt Hole Diameter in	Number of Bolt Holes	Weight lb
	304/304L	316/316L											
1/2	S1014WN4004N	S1016WN4004N	3.50	0.44	1.38	1.88	0.62	0.84	1.19	2.38	0.62	4	2
3/4	S1014WN4006N	S1016WN4006N	3.88	0.50	1.69	2.06	0.82	1.05	1.50	2.75	0.62	4	2
1	S1014WN4010N	S1016WN4010N	4.25	0.56	2.00	2.19	1.05	1.32	1.94	3.12	0.62	4	3
1-1/4	S1014WN4012N	S1016WN4012N	4.62	0.62	2.50	2.25	1.38	1.66	2.31	3.50	0.62	4	3
1-1/2	S1014WN4014N	S1016WN4014N	5.00	0.69	2.88	2.44	1.61	1.90	2.56	3.88	0.62	4	4
2	S1014WN4020N	S1016WN4020N	6.00	0.75	3.62	2.50	2.07	2.38	3.06	4.75	0.75	4	6
2-1/2	S1014WN4024N	S1016WN4024N	7.00	0.88	4.12	2.75	2.47	2.88	3.56	5.50	0.75	4	8
3	S1014WN4030N	S1016WN4030N	7.50	0.94	5.00	2.75	3.07	3.50	4.25	6.00	0.75	4	10
4	S1014WN4040N	S1016WN4040N	9.00	0.94	6.19	3.00	4.03	4.50	5.31	7.50	0.75	8	15
5	S1014WN4050N	S1016WN4050N	10.00	0.94	7.31	3.50	5.05	5.56	6.44	8.50	0.88	8	19
6	S1014WN4060N	S1016WN4060N	11.00	1.00	8.50	3.50	6.07	6.63	7.56	9.50	0.88	8	24

Raised Face 1/16"

**150# Schedule 80 – Weld Neck Raised Face Flange**

Size in	Part Number		A in	B in	C in	D in	E in	F in	G in	Bolt Circle in	Bolt Hole Diameter in	Number of Bolt Holes	Weight lb
	304/304L	316/316L											
1/2	S1014WN8004N	S1016WN8004N	3.50	0.44	1.38	1.88	0.54	0.84	1.19	2.38	0.62	4	2
3/4	S1014WN8006N	S1016WN8006N	3.88	0.50	1.69	2.06	0.74	1.05	1.50	2.75	0.62	4	2
1	S1014WN8010N	S1016WN8010N	4.25	0.56	2.00	2.19	0.95	1.32	1.94	3.12	0.62	4	3
1-1/4	S1014WN8012N	S1016WN8012N	4.62	0.62	2.50	2.25	1.27	1.66	2.31	3.50	0.62	4	3
1-1/2	S1014WN8014N	S1016WN8014N	5.00	0.69	2.88	2.44	1.50	1.90	2.56	3.88	0.62	4	4
2	S1014WN8020N	S1016WN8020N	6.00	0.75	3.62	2.50	1.93	2.38	3.06	4.75	0.75	4	6
2-1/2	S1014WN8024N	S1016WN8024N	7.00	0.88	4.12	2.75	2.32	2.88	3.56	5.50	0.75	4	8
3	S1014WN8030N	S1016WN8030N	7.50	0.94	5.00	2.75	2.90	3.50	4.25	6.00	0.75	4	10
4	S1014WN8040N	S1016WN8040N	9.00	0.94	6.19	3.00	3.82	4.50	5.31	7.50	0.75	8	15
6	S1014WN8060N	S1016WN8060N	11.00	1.00	8.50	3.50	5.76	6.63	7.56	9.50	0.88	8	24

Raised Face 1/16"



### 300# – Blind Face Flange

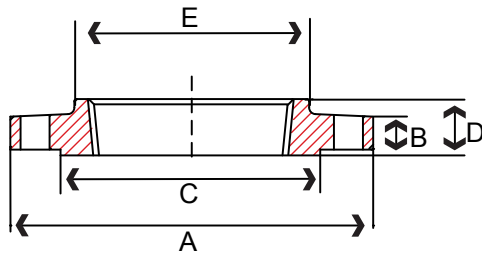
Size in	Part Number		A in	B in	C in	Bolt Circle in	Bolt Hole Diameter in	Number of Bolt Holes	Weight lb
	304/304L	316/316L							
1/2	S1034BL004N	S1036BL004N	3.75	0.56	1.38	2.62	0.62	4	2
3/4	S1034BL006N	S1036BL006N	4.62	0.62	1.69	3.25	0.75	4	3
1	S1034BL010N	S1036BL010N	4.88	0.69	2.00	3.50	0.75	4	3
1-1/4	S1034BL012N	S1036BL012N	5.25	0.75	2.50	3.88	0.75	4	4
1-1/2	S1034BL014N	S1036BL014N	6.12	0.81	2.88	4.50	0.88	4	6
2	S1034BL020N	S1036BL020N	6.50	0.88	3.62	5.00	0.75	8	8
2-1/2	S1034BL024N	S1036BL024N	7.50	1.00	4.12	5.88	0.88	8	12
3	S1034BL030N	S1036BL030N	8.25	1.12	5.00	6.62	0.88	8	16
4	S1034BL040N	S1036BL040N	10.00	1.25	6.19	7.88	0.88	8	27
6	S1034BL060N	S1036BL060N	12.50	1.44	8.50	10.62	0.88	12	50

Raised Face 1/16"

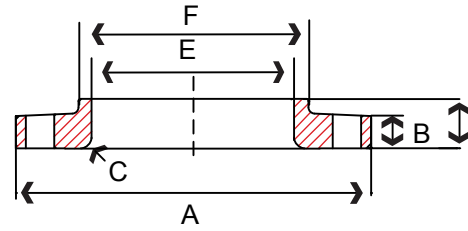
### 300# – Slip-On Raised Face Flange

Size in	Part Number		A in	B in	C in	D in	E in	F in	Bolt Circle in	Bolt Hole Diameter in	Number of Bolt Holes	Weight lb
	304/304L	316/316L										
1/2	S1034SO004N	S1036SO004N	3.75	0.56	1.38	0.88	0.88	1.50	2.62	0.62	4	2
3/4	S1034SO006N	S1036SO006N	4.62	0.62	1.69	1.00	1.09	1.88	3.25	0.75	4	3
1	S1034SO010N	S1036SO010N	4.88	0.69	2.00	1.06	1.36	2.12	3.50	0.75	4	3
1-1/4	S1034SO012N	S1036SO012N	5.25	0.75	2.50	1.06	1.70	2.50	3.88	0.75	4	4
1-1/2	S1034SO014N	S1036SO014N	6.12	0.81	2.88	1.19	1.95	2.75	4.50	0.88	4	6
2	S1034SO020N	S1036SO020N	6.50	0.88	3.62	1.31	2.44	3.31	5.00	0.75	8	7
2-1/2	S1034SO024N	S1036SO024N	7.50	1.00	4.12	1.50	2.94	3.94	5.88	0.88	8	10
3	S1034SO030N	S1036SO030N	8.25	1.12	5.00	1.69	3.57	4.62	6.62	0.88	8	13
4	S1034SO040N	S1036SO040N	10.00	1.25	6.19	1.88	4.60	5.75	7.88	0.88	8	22

Raised Face 1/16"



Threaded Flange



Lap Joint Flange

S S F L A N G E S

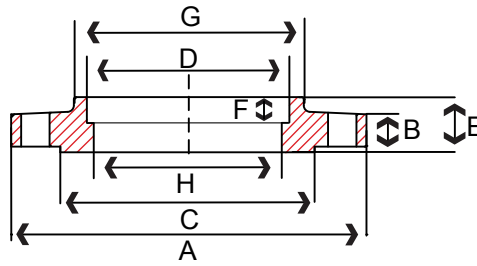
**300# – Threaded Raised Face Flange Flange**

Size in	Part Number		A in	B in	C in	D in	E in	Bolt Circle in	Bolt Hole Diameter in	Number of Bolt Holes	Weight lb
	304/304L	316/316L									
1/2	S1034TH004N	S1036TH004N	3.75	0.56	1.38	0.88	1.50	2.62	0.62	4	2
3/4	S1034TH006N	S1036TH006N	4.62	0.62	1.69	1.00	1.88	3.25	0.75	4	3
1	S1034TH010N	S1036TH010N	4.88	0.69	2.00	1.06	2.12	3.50	0.75	4	3
1-1/4	S1034TH012N	S1036TH012N	5.25	0.75	2.50	1.06	2.50	3.88	0.75	4	4
1-1/2	S1034TH014N	S1036TH014N	6.12	0.81	2.88	1.19	2.75	4.50	0.88	4	6
2	S1034TH020N	S1036TH020N	6.50	0.88	3.62	1.31	3.31	5.00	0.75	8	7
2-1/2	S1034TH024N	S1036TH024N	7.50	1.00	4.12	1.50	3.94	5.88	0.88	8	10
3	S1034TH030N	S1036TH030N	8.25	1.12	5.00	1.69	4.62	6.62	0.88	8	13
4	S1034TH040N	S1036TH040N	10.00	1.25	6.19	1.88	5.75	7.88	0.88	8	22

Raised Face 1/16"

**300# – Lap Joint Flange**

Size in	Part Number		A in	B in	C in	D in	E in	F in	Bolt Circle in	Bolt Hole Diameter in	Number of Bolt Holes	Weight lb
	316/316L											
1/2	S1036LJ004N		3.75	0.56	0.12	0.88	0.90	1.50	2.62	0.62	4	2
3/4	S1036LJ006N		4.62	0.62	0.12	1.00	1.11	1.88	3.25	0.75	4	3
1	S1036LJ010N		4.88	0.69	0.12	1.06	1.38	2.12	3.50	0.75	4	3
1-1/4	S1036LJ012N		5.25	0.75	0.19	1.06	1.72	2.50	3.88	0.75	4	4
1-1/2	S1036LJ014N		6.12	0.81	0.25	1.19	1.97	2.75	4.50	0.88	4	6
2	S1036LJ020N		6.50	0.88	0.31	1.31	2.46	3.31	5.00	0.75	8	7
3	S1036LJ030N		8.25	1.12	0.38	1.69	3.60	4.62	6.62	0.88	8	13
4	S1036LJ040N		10.00	1.25	0.44	1.88	4.60	5.75	7.88	0.88	8	22



Socket Weld Flange

S S F L A N G E S

**300# Schedule 40 – Socket Weld Raised Face Flange**

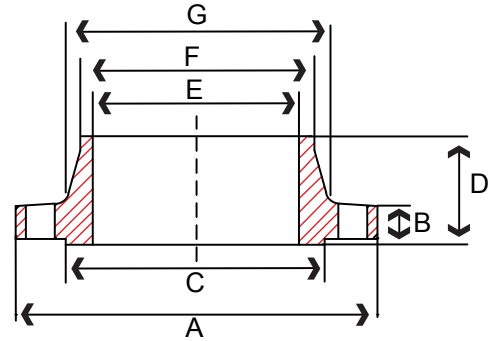
Size in	Part Number		A in	B in	C in	D in	E in	F in	G in	H in	Bolt Circle in	Bolt Hole Diameter in	Number of Bolt Holes	Weight lb
	304/304L	316/316L												
1/2	S1034SW4004N	S1036SW4004N	3.75	0.56	1.38	0.88	0.88	0.38	1.50	0.62	2.62	0.62	4	2
3/4	S1034SW4006N	S1036SW4006N	4.62	0.62	1.69	1.09	1.00	0.44	1.88	0.82	3.25	0.75	4	3
1	S1034SW4010N	S1036SW4010N	4.88	0.69	2.00	1.36	1.06	0.50	2.12	1.05	3.50	0.75	4	3
1-1/4	S1034SW4012N	S1036SW4012N	5.25	0.75	2.50	1.70	1.06	0.56	2.50	1.38	3.88	0.75	4	4
1-1/2	S1034SW4014N	S1036SW4014N	6.12	0.81	2.88	1.95	1.19	0.62	2.75	1.61	4.50	0.88	4	6
2	S1034SW4020N	S1036SW4020N	6.50	0.88	3.62	2.44	1.31	0.69	3.31	2.07	5.00	0.75	8	7
2-1/2	S1034SW4024N	S1036SW4024N	7.50	1.00	4.12	2.94	1.50	0.75	3.94	2.47	5.88	0.88	8	10
3	S1034SW4030N	S1036SW4030N	8.25	1.12	5.00	3.57	1.69	0.81	4.62	3.07	6.62	0.88	8	13
4	S1034SW4040N	S1036SW4040N	10.00	1.25	6.19	4.57	1.88	0.93	5.75	4.03	7.88	0.88	8	22

Raised Face 1/16"

**300# Schedule 80 – Socket Weld Raised Face Flange**

Size in	Part Number		A in	B in	C in	D in	E in	F in	G in	H in	Bolt Circle in	Bolt Hole Diameter in	Number of Bolt Holes	Weight lb
	304/304L	316/316L												
1/2	S1034SW8004N	S1036SW8004N	3.75	0.56	1.38	0.88	0.88	0.38	1.50	0.54	2.62	0.62	4	2
3/4	S1034SW8006N	S1036SW8006N	4.62	0.62	1.69	1.09	1.00	0.44	1.88	0.74	3.25	0.75	4	3
1	S1034SW8010N	S1036SW8010N	4.88	0.69	2.00	1.36	1.06	0.50	2.12	0.95	3.50	0.75	4	3
1-1/4	S1034SW8012N	S1036SW8012N	5.25	0.75	2.50	1.70	1.06	0.56	2.50	1.27	3.88	0.75	4	4
1-1/2	S1034SW8014N	S1036SW8014N	6.12	0.81	2.88	1.95	1.19	0.62	2.75	1.50	4.50	0.88	4	6
2	S1034SW8020N	S1036SW8020N	6.50	0.88	3.62	2.44	1.31	0.69	3.31	1.93	5.00	0.75	8	7
2-1/2	S1034SW8024N	S1036SW8024N	7.50	1.00	4.12	2.94	1.50	0.75	3.94	2.32	5.88	0.88	8	10
3	S1034SW8030N	S1036SW8030N	8.25	1.12	5.00	3.57	1.69	0.81	4.62	2.90	6.62	0.88	8	13
4	S1034SW8040N	S1036SW8040N	10.00	1.25	6.19	4.57	1.88	0.93	5.75	3.82	7.88	0.88	8	22

Raised Face 1/16"



Weld Neck Flange

S S F L A N G E S

**300# Schedule 40 – Weld Neck Raised Face Flange**

Size in	Part Number		A in	B in	C in	D in	E in	F in	G in	Bolt Circle in	Bolt Hole Diameter in	Number of Bolt Holes	Weight lb
	304/304L	316/316L											
1/2	S1034WN4004N	S1036WN4004N	3.75	0.56	1.38	2.06	0.62	0.84	1.50	2.38	0.62	4	2
3/4	S1034WN4006N	S1036WN4006N	4.62	0.62	1.69	2.25	0.82	1.05	1.88	2.75	0.62	4	3
1	S1034WN4010N	S1036WN4010N	4.88	0.69	2.00	2.44	1.05	1.32	2.12	3.12	0.62	4	4
1-1/4	S1034WN4012N	S1036WN4012N	5.25	0.75	2.50	2.56	1.38	1.66	2.50	3.50	0.62	4	5
1-1/2	S1034WN4014N	S1036WN4014N	6.12	0.81	2.88	2.69	1.61	1.90	2.75	3.88	0.62	4	7
2	S1034WN4020N	S1036WN4020N	6.50	0.88	3.62	2.75	2.07	2.38	3.31	4.75	0.75	8	9
2-1/2	S1034WN4024N	S1036WN4024N	7.50	1.00	4.12	3.00	2.47	2.88	3.94	5.50	0.75	8	12
3	S1034WN4030N	S1036WN4030N	8.25	1.12	5.00	3.12	3.07	3.50	4.62	6.00	0.75	8	15
4	S1034WN4040N	S1036WN4040N	10.00	1.25	6.19	3.38	4.03	4.50	5.75	7.50	0.75	8	25
6	S1034WN4060N	S1036WN4060N	12.50	1.44	8.50	3.88	6.07	6.63	8.12	9.50	0.88	12	42

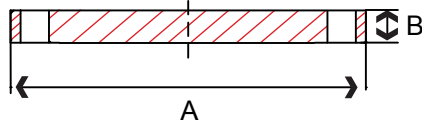
Raised Face 1/16"

**300# Schedule 80 – Weld Neck Raised Face Flange**

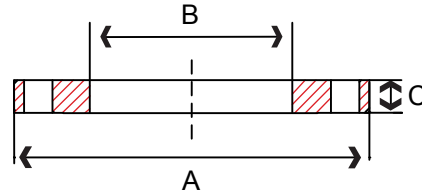
Size in	Part Number		A in	B in	C in	D in	E in	F in	G in	Bolt Circle in	Bolt Hole Diameter in	Number of Bolt Holes	Weight lb
	304/304L	316/316L											
1/2	S1034WN8004N	S1036WN8004N	3.75	0.56	1.38	2.06	0.54	0.84	1.50	2.38	0.62	4	2
3/4	S1034WN8006N	S1036WN8006N	4.62	0.62	1.69	2.25	0.74	1.05	1.88	2.75	0.62	4	3
1	S1034WN8010N	S1036WN8010N	4.88	0.69	2.00	2.44	0.95	1.32	2.12	3.12	0.62	4	4
1-1/4	S1034WN8012N	S1036WN8012N	5.25	0.75	2.50	2.56	1.27	1.66	2.50	3.50	0.62	4	5
1-1/2	S1034WN8014N	S1036WN8014N	6.12	0.81	2.88	2.69	1.50	1.90	2.75	3.88	0.62	4	7
2	S1034WN8020N	S1036WN8020N	6.50	0.88	3.62	2.75	1.93	2.38	3.31	4.75	0.75	8	9

Raised Face 1/16"





Blind Plate Flange



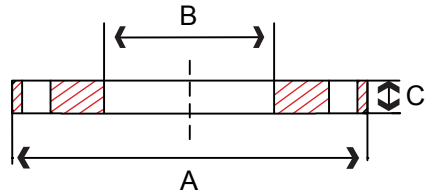
Slip-On IPS Plate Flange

### Blind Plate Flanges

Size in	Part Numbers		A Outside Diameter in	B Thickness in	Number of Bolt Holes	Bolt Hole Diameter in	Bolt Circle in	Weight lb
	304	316						
1	S1414BLP010	S1416BLP010	4.25	0.500	4	0.625	3.12	1.9
1-1/2	S1414BLP014	S1416BLP014	5.00	0.500	4	0.625	3.88	2.7
2	S1414BLP020	S1416BLP020	6.00	0.500	4	0.750	4.75	3.9
2-1/2	S1414BLP024	S1416BLP024	7.00	0.500	4	0.750	5.50	5.5
3	S1414BLP030	S1416BLP030	7.50	0.500	4	0.750	6.00	6.3
4	S1414BLP040	S1416BLP040	9.00	0.500	8	0.750	7.50	9.0
6	S1414BLP060	S1416BLP060	11.00	0.500	8	0.880	9.50	13.5

### Slip-On IPS Plate Flanges

Size in	Part Numbers		A Outside Diameter in	B Inside Diameter in	C Thickness in	Number of Bolt Holes	Bolt Hole Diameter in	Bolt Circle in	Weight lb
	304	316							
1	S1414SOP010	S1416SOP010	4.25	1.36	0.500	4	0.625	3.12	1.7
1-1/2	S1414SOP014	S1416SOP014	5.00	1.95	0.500	4	0.625	3.88	2.3
2	S1414SOP020	S1416SOP020	6.00	2.44	0.500	4	0.75	4.75	3.2
2-1/2	S1414SOP024	S1416SOP024	7.00	2.94	0.500	4	0.75	5.50	4.5
3	S1414SOP030	S1416SOP030	7.50	3.57	0.500	4	0.75	6.00	4.8
4	S1414SOP040	S1416SOP040	9.00	4.57	0.500	8	0.75	7.50	6.5
5	S1414SOP050	S1416SOP050	10.00	5.66	0.500	8	0.88	8.50	7.3
6	S1414SOP060	S1416SOP060	11.00	6.72	0.500	8	0.88	9.50	8.2



Tube Plate Flange

### Tube Plate Flanges

Size in	Part Numbers		A Outside Diameter in	B Inside Diameter in	C Thickness in	Number of Bolt Holes	Bolt Hole Diameter in	Bolt Circle in	Weight lb
	304	316							
1	S1414SOTP010	S1416SOTP010	4.25	1.063	0.500	4	0.625	3.12	1.7
1-1/2	S1414SOTP014	S1416SOTP014	5.00	1.563	0.500	4	0.625	3.88	2.3
2	S1414SOTP020	S1416SOTP020	6.00	2.063	0.500	4	0.750	4.75	3.2
2-1/2	S1414SOTP024	S1416SOTP024	7.00	2.563	0.500	4	0.750	5.50	4.5
3	S1414SOTP030	S1416SOTP030	7.50	3.063	0.500	4	0.750	6.00	4.8
4	S1414SOTP040	S1416SOTP040	9.00	4.063	0.500	8	0.750	7.50	6.5
6	S1414SOTP060	S1416SOTP060	11.00	6.063	0.500	8	0.875	9.50	8.2

S S F L A N G E S